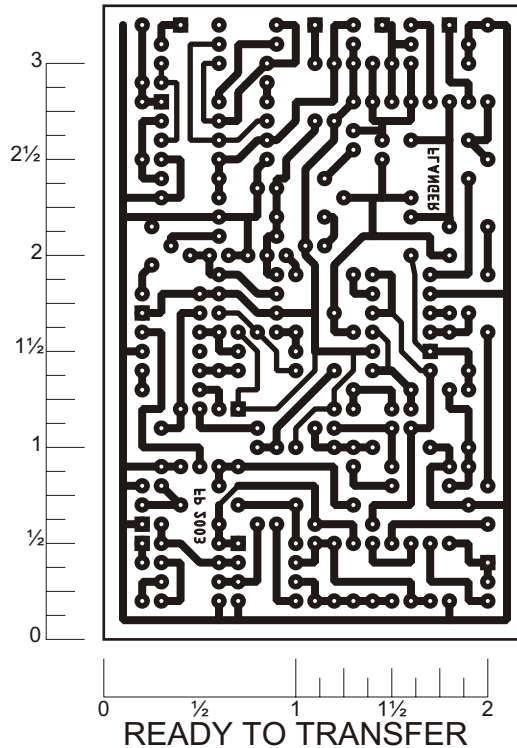
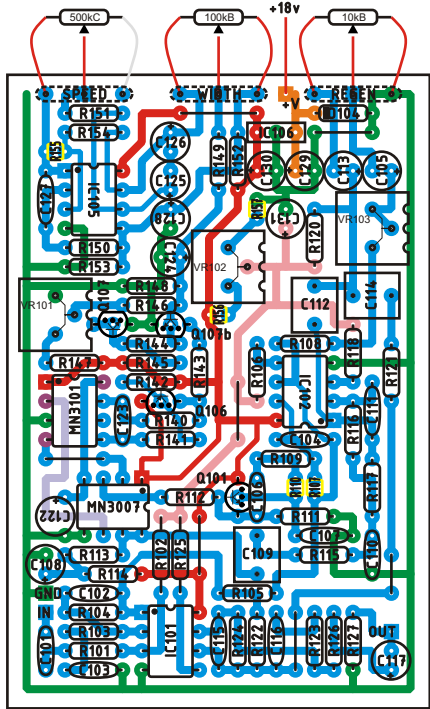


TRESCIENTOS UNO FLANGER

Rev.2.Oct.18.2003

Build Ibanez FL301. This circuit runs on +18VDC. Parts designations refer to the factory schematic. Off board components except for the potentiometers are not shown on the layout. Trademarks are property of their owners.



Layout and presentation by Francisco Peña 2001-2003®.
All rights reserved. Authorization for personal use only.
any commercial use is forbidden.
Permission for posting/serving limited to
<http://www.tonepad.com>
Permission refused for posting from other sites.

Parts List

Resistors

R101 - 1K	R123 - 5.1k
R102 - 510K	R124 - 51k
R103 - 1K	R125 - 3.3k
R104 - 10K	R126 - 470 ohm
R105 - 10K	R127 - 10k
R106 - 10K	R140 - 330 ohm
R107 - 10K	R141 - 33k
R108 - 4.7K	R142 - 3k
R109 - 24K	R143 - 1k
R110 - 24K	R144 - 18k
R111 - 10K	R145 - 2.2M
R112 - 4.7K	
R113 - 56K	
R114 - 3.9K	
R115 - 24K	
R116 - 10K	
R117 - 24k	
R118 - 10K	
R120 - 100K	
R121 - 51K	
R122 - 51K	

Transistors

Q101 - 2N5088
Q106 - 2N5087
Q107 - 2N5088
Q107b - 2N5088

Potentiometers

1 - 100k Lin.
1 - 500k RevLog.
1 - 10k Lin.

ICs

R146 - 1M	IC101 - TL022
R147 - 1k	IC102 - TL022
R148 - 100k	IC103 - MN3007
R149 - 510k	IC104 - MN3101
R150 - 100k	IC105 - TL022
R151 - 1.8k	IC106 - 12V Regulator
R152 - 5.1k	
R153 - 5.1k	
R154 - 27k	
R155 - 82k	
R156 - 4.7k	
R157 - 4.7k	

Trim Pots

VR101 - 10k
VR102 - 10k
VR103 - 10k

Capacitors

C101 - 0.047uf
C102 - 30pf
C103 - 0.015uf
C104 - 30pf
C105 - 1uf
C106 - 0.001uf
C107 - 470pf
C108 - 1uf
C109 - 1uf NP
C110 - .0022uf
C111 - 820pf
C112 - 1uf NP
C113 - 1uf
C114 - 1uf NP
C115 - 51pf
C116 - 0.003uf

C117 - 10uf

C122 - 1uf
C123 - 180pf
C124 - 10uf
C125 - 10uf
C126 - 10uf
C127 - 0.01uf
C128 - 100uf
C129 - 10uf
C130 - 100uf
C131 - 47uf

Diodes

D104 - 1N914
