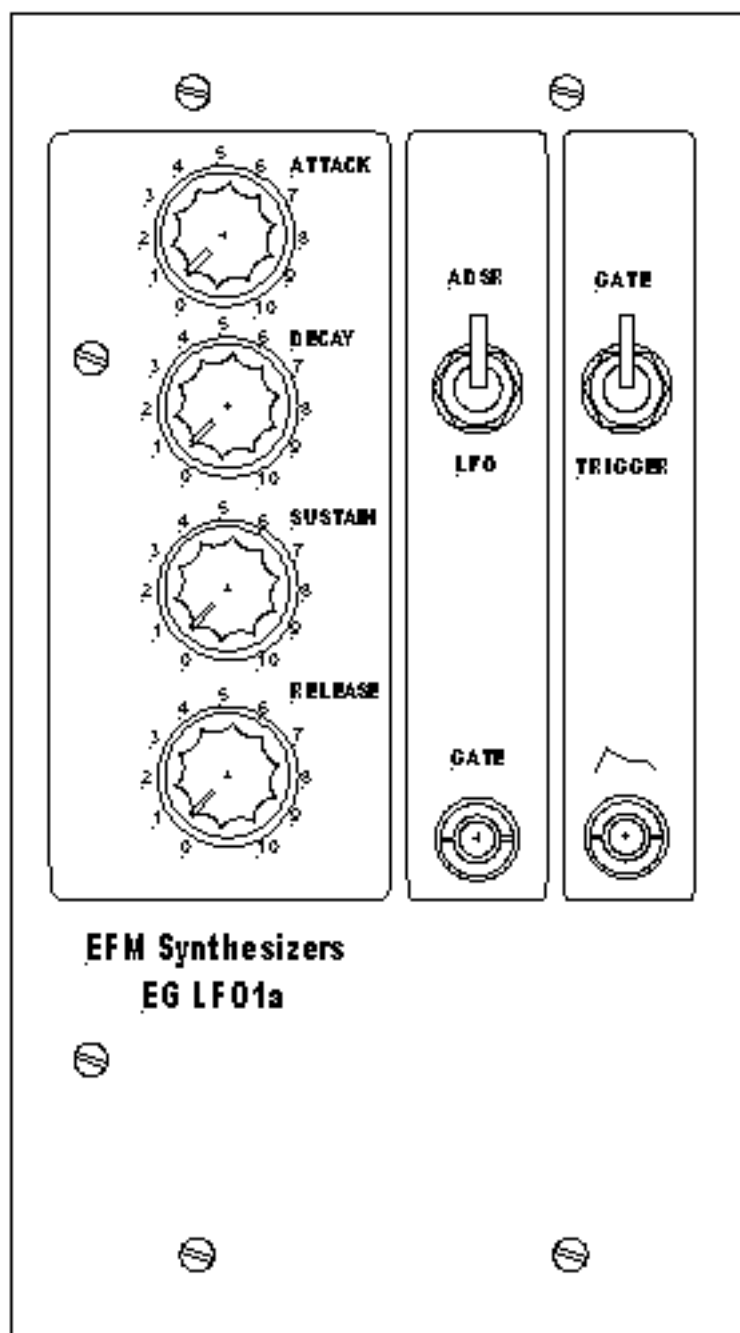


**EGLFO 1a****PARTS LIST****CAPACITORS**

C1,C2,C3	0.1	3
C4	.01	1
C5	100/25V	1
C6	.05	1
C7	4.7/16	1

**RESISTORS**

R1,R4,R6	1M	3
R2,R3,R5,R7,R8,R14	100K	6
R9	100	1
R10	4.7K	1
R11-13,R16	1K	4
R14	100K	1
R15	4.7K SEE TEXT	1

**POTENTIOMETERS**

P1-P3	1M	3
P4	10K	1
P5	50K	1

**DIODES**

D1-D3	1N914	3
LED		1

**ICS**

U1	4001	1
U2	4066	1
U3	LM555	1
U4	TLO72	1

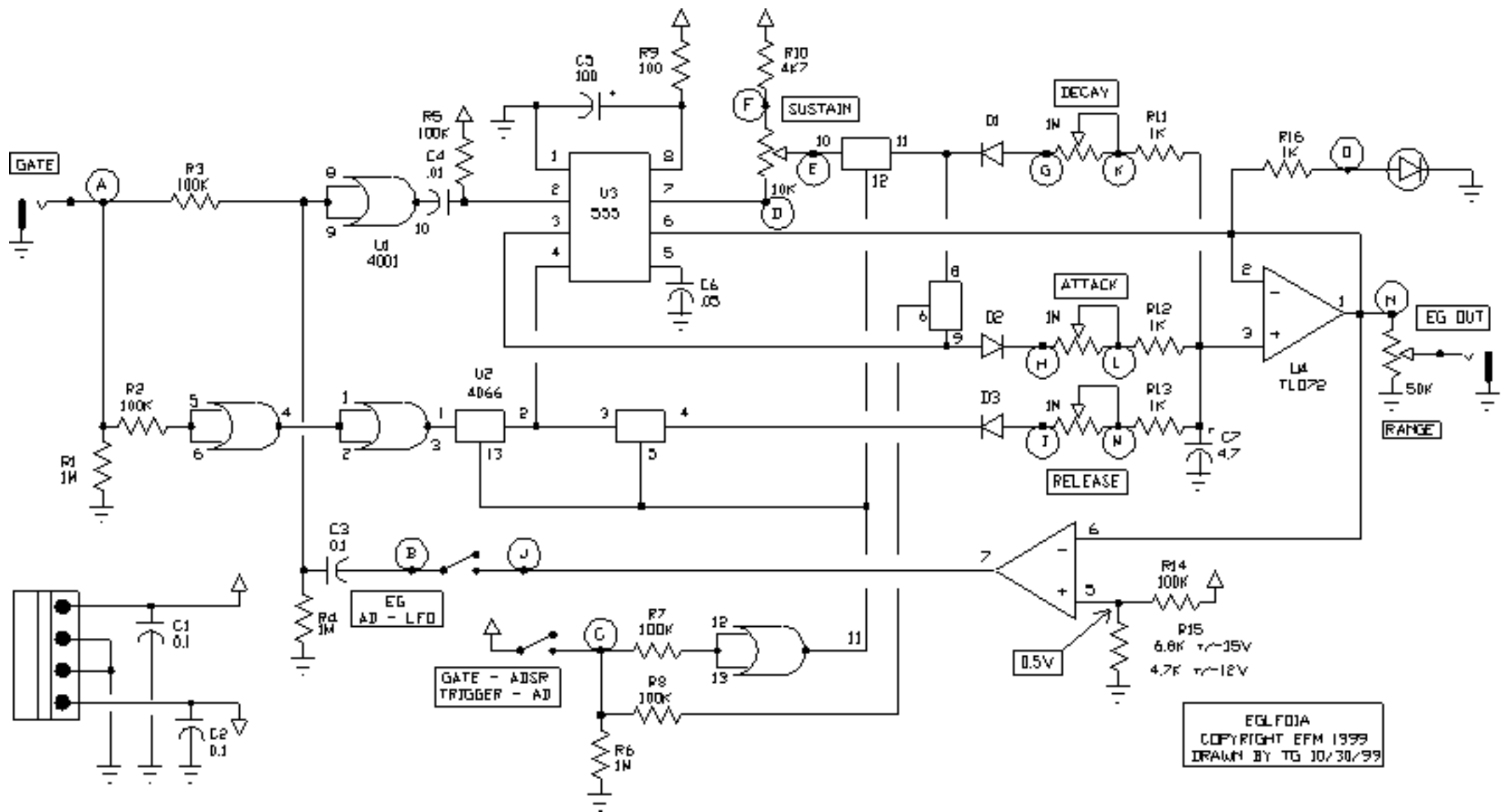
**SWITCHES**

DPDT		2
------	--	---

**JACKS**

1/8		2
-----	--	---

EGLFO 1a



Parts Placement

