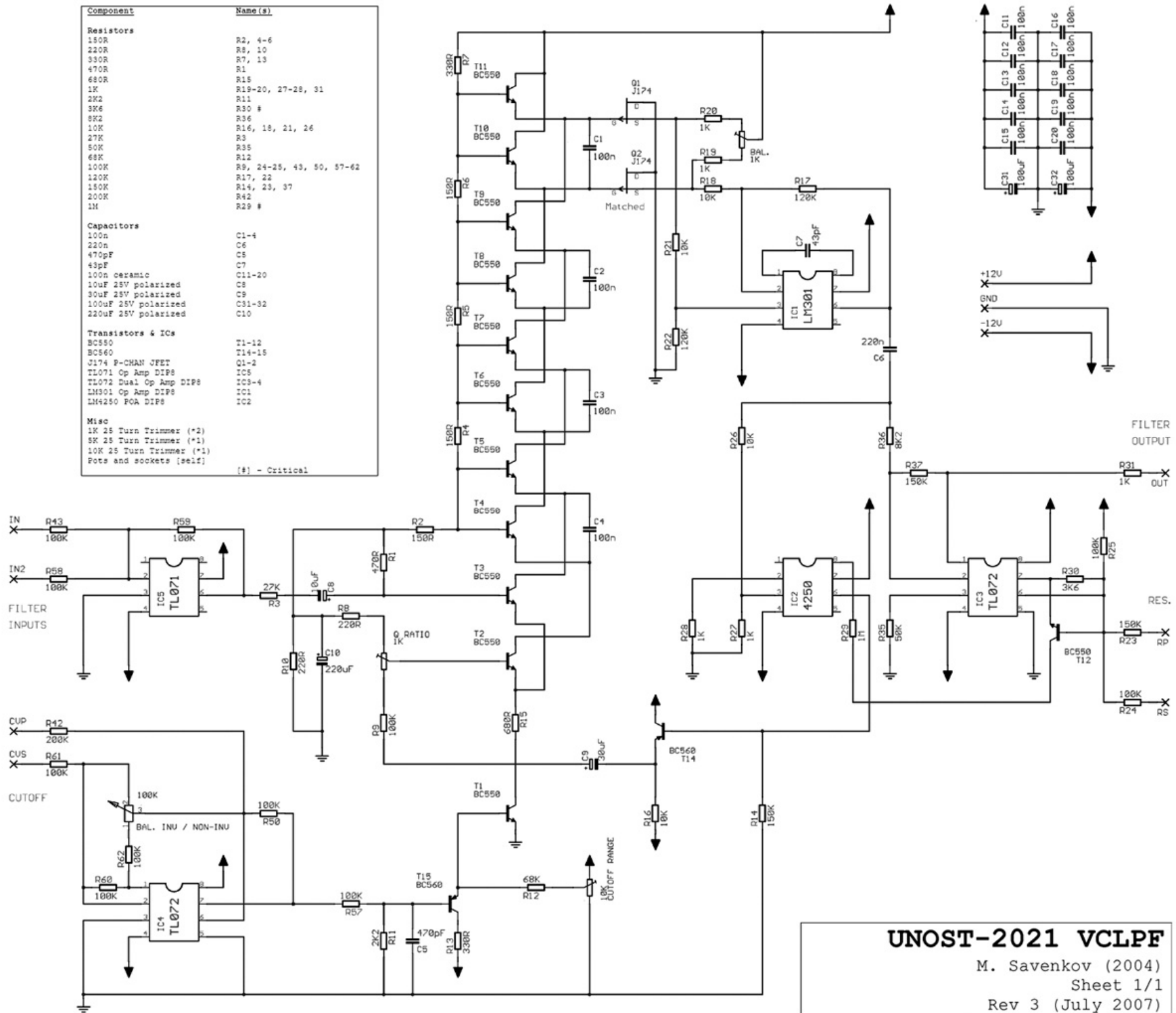


Component	Name(s)
Resistors	
150R	R2, 4-6
220R	R8, 10
330R	R7, 13
470R	R1
680R	R15
1K	R19-20, 27-28, 31
2K2	R11
3K6	R30 #
8K2	R36
10K	R16, 18, 21, 26
27K	R3
50K	R35
68K	R12
100K	R9, 24-25, 43, 50, 57-62
120K	R17, 22
150K	R14, 23, 37
200K	R42
1M	R29 #
Capacitors	
100n	C1-4
220n	C6
470pF	C5
43pF	C7
100n ceramic	C11-20
10uF 25V polarized	C1
30uF 25V polarized	C9
100uF 25V polarized	C31-32
220uF 25V polarized	C10
Transistors & ICs	
BC550	T1-12
BC560	T14-15
J174 P-CHAN JFET	Q1-2
TL071 Op Amp DIP8	IC5
TL072 Dual Op Amp DIP8	IC3-4
LM301 Op Amp DIP8	IC1
LM4250 PQA DIP8	IC2
Misc	
1K 25 Turn Trimmer (*2)	
5K 25 Turn Trimmer (*1)	
10K 25 Turn Trimmer (*1)	
Pots and sockets [self]	
	[#] - Critical



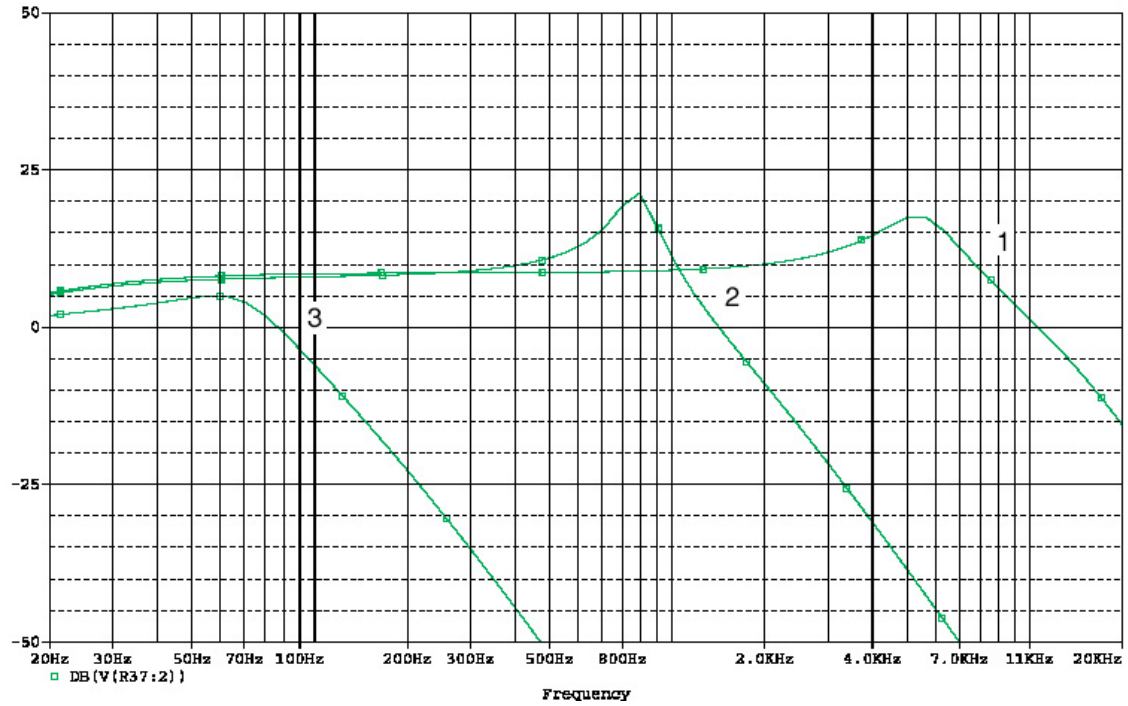
UNOST-2021 VCLPF

M. Savenkov (2004)

Sheet 1/1

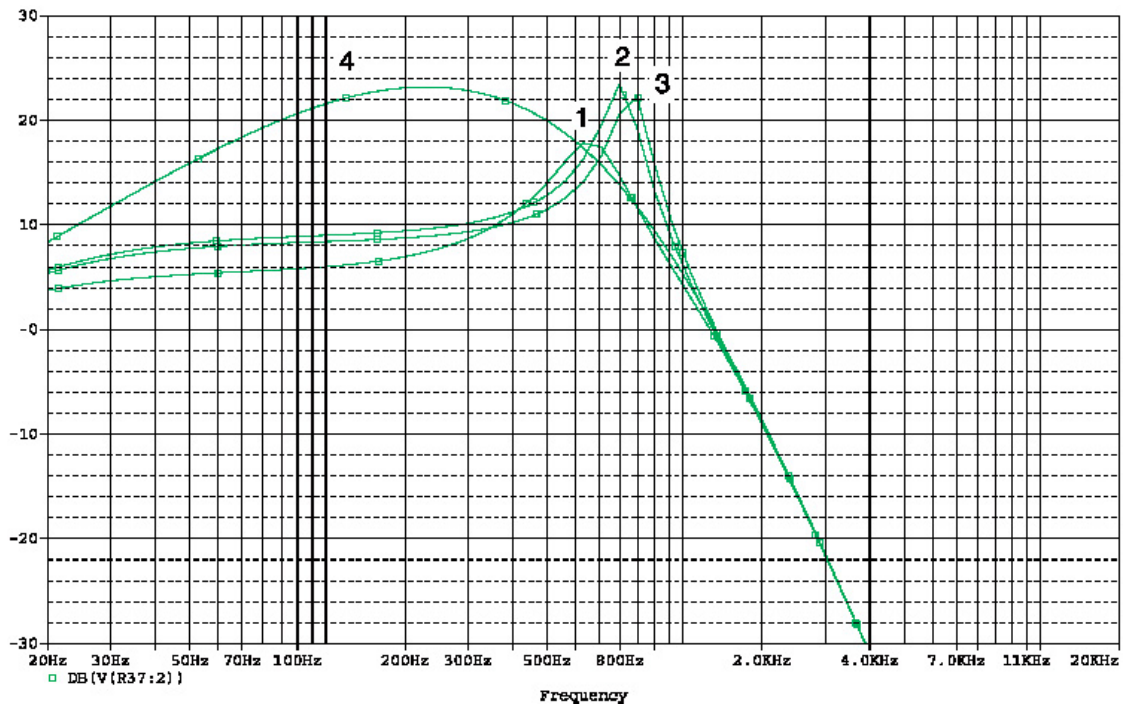
Rev 3 (July 2007)

Fig 1. Varying Cutoff CV (output dB vs. freq.)



No.	Cutoff CV (VDC)	Res. CV (VDC)	LM4250 Iset (uA)
1	0.12	3.16	2.71
2	5.33	3.16	2.71
3	11.82	3.16	2.71

Fig 2. Varying Resonance CV (output dB vs. freq.)



No.	Cutoff CV (VDC)	Res. CV (VDC)	LM4250 Iset (uA)
1	5.33	0.12	0.17
2	5.33	1.66	0.70
3	5.33	2.96	2.72
4	5.33	(~6 thru 12)	12.0