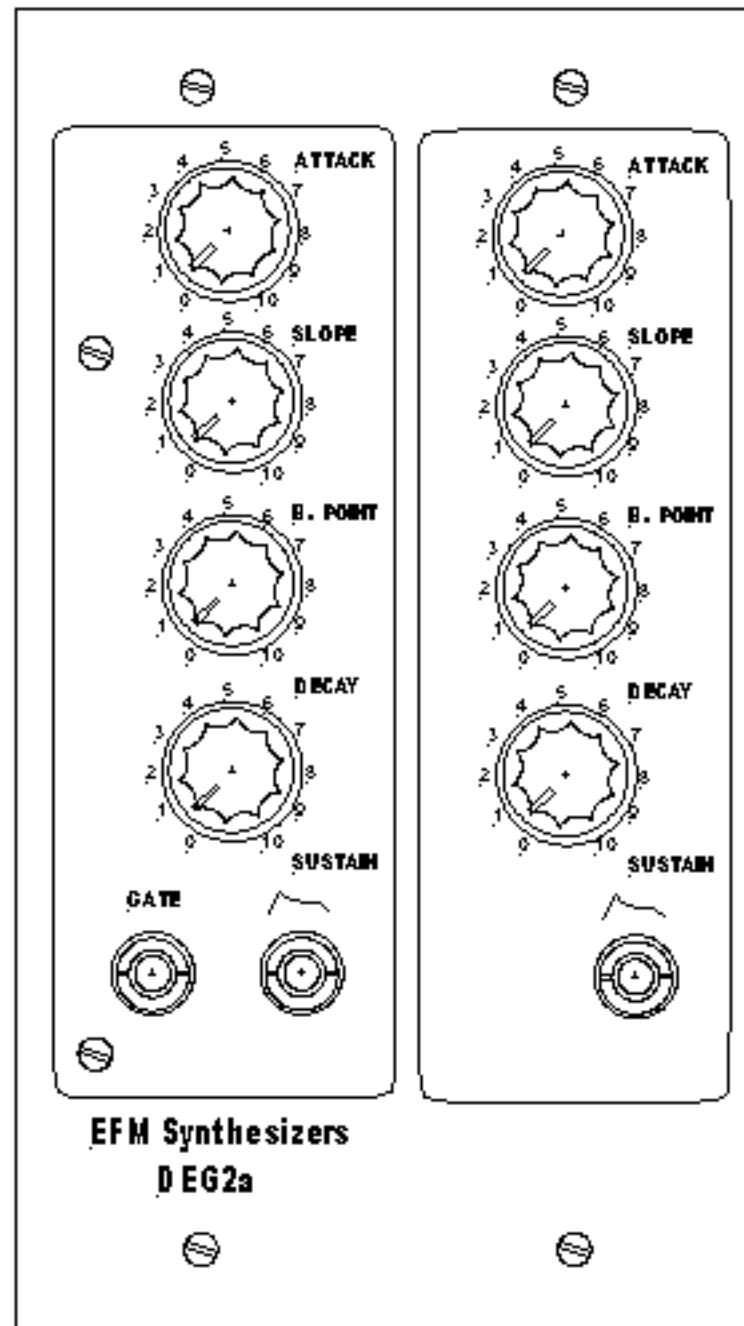


DEG2A**Parts List****CAPACITORS**

C1,C2	0.1	2
C3,C5,C7	.01	3
C4	100/25V	1

RESISTORS

R1,R2,R5	10K	3
R3,R8,R13	4.7K	3
R4,R6	2.2K	2
R7	100	1
R9-R12,R14-R17	1K	7

POTENTIOMETERS

P1-P6	1M	6
P7,P8	50K	2

DIODES

D1-D8	1N914	8
-------	-------	---

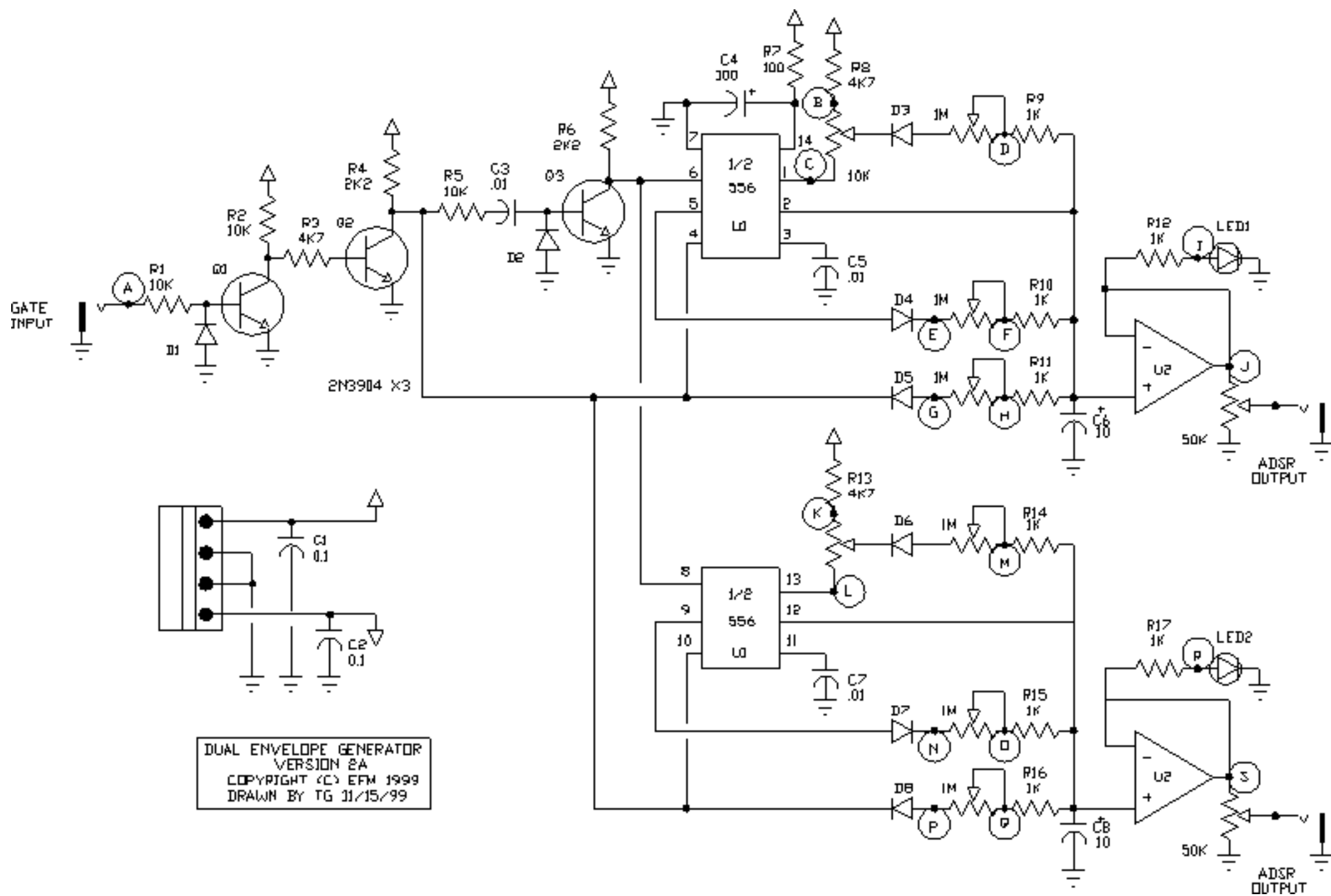
TRANSISTORS

Q1-Q3	2N3904	3
-------	--------	---

ICS

U1	LM556	1
U2	TLO72	1

Schematic



Parts Placement

