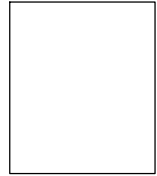


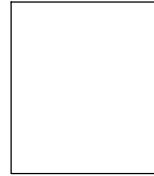
5

SEQ



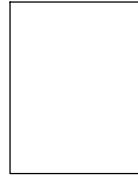
4

QUAN



3

MISC



2

1

D

C

B

A

D

C

B

A

Title		
MIKADO ANALOG SEQUENCER-BOARD 1		
Size	Document Number	Rev
	100-1010	A
Date:	Sunday, April 21, 2002	Sheet 1 of 6

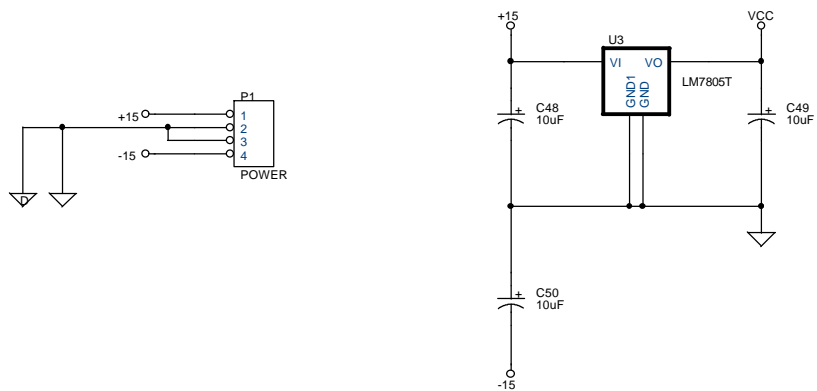
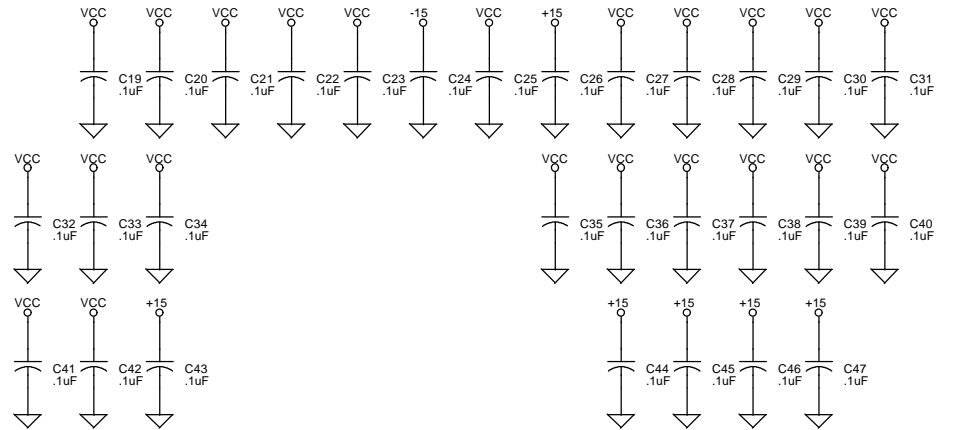
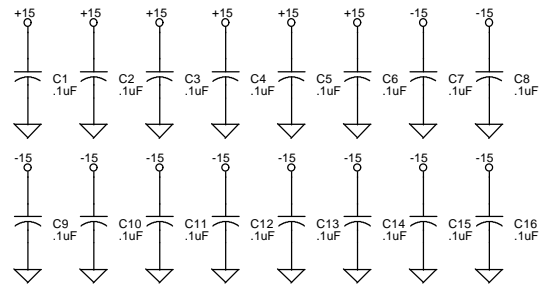
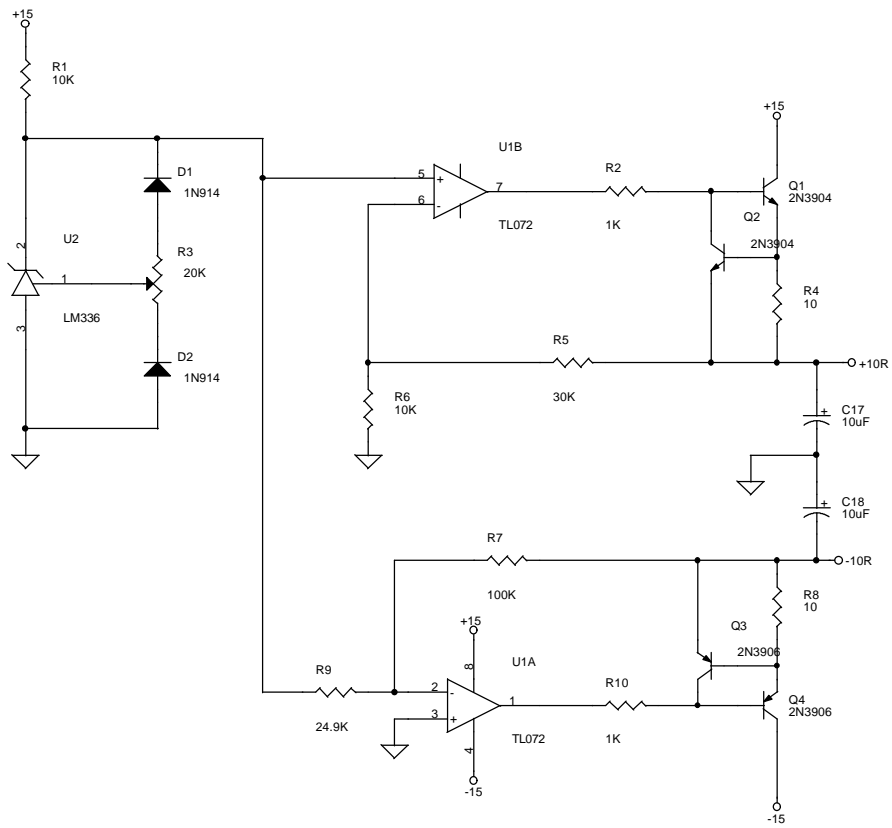
5

4

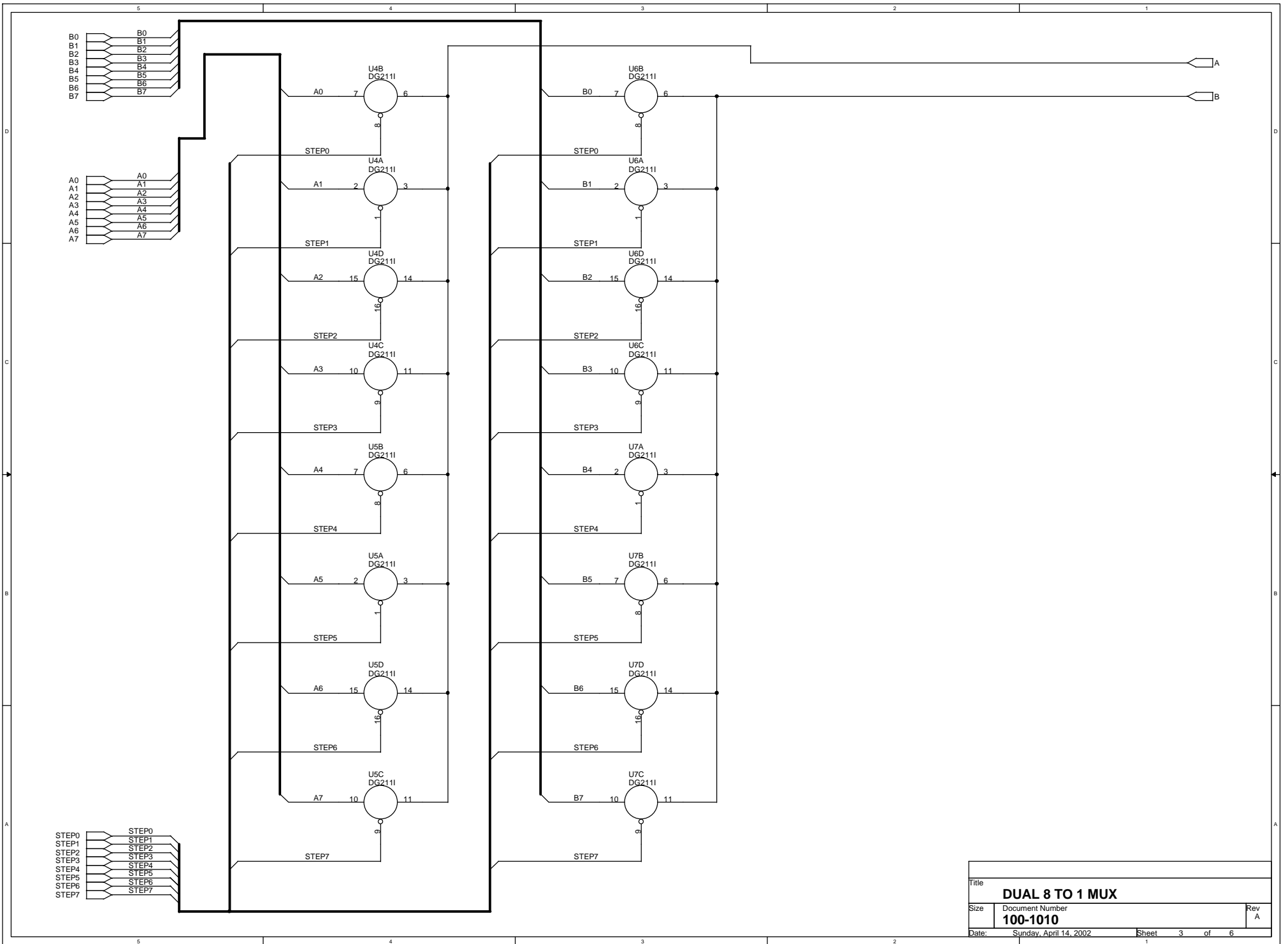
3

2

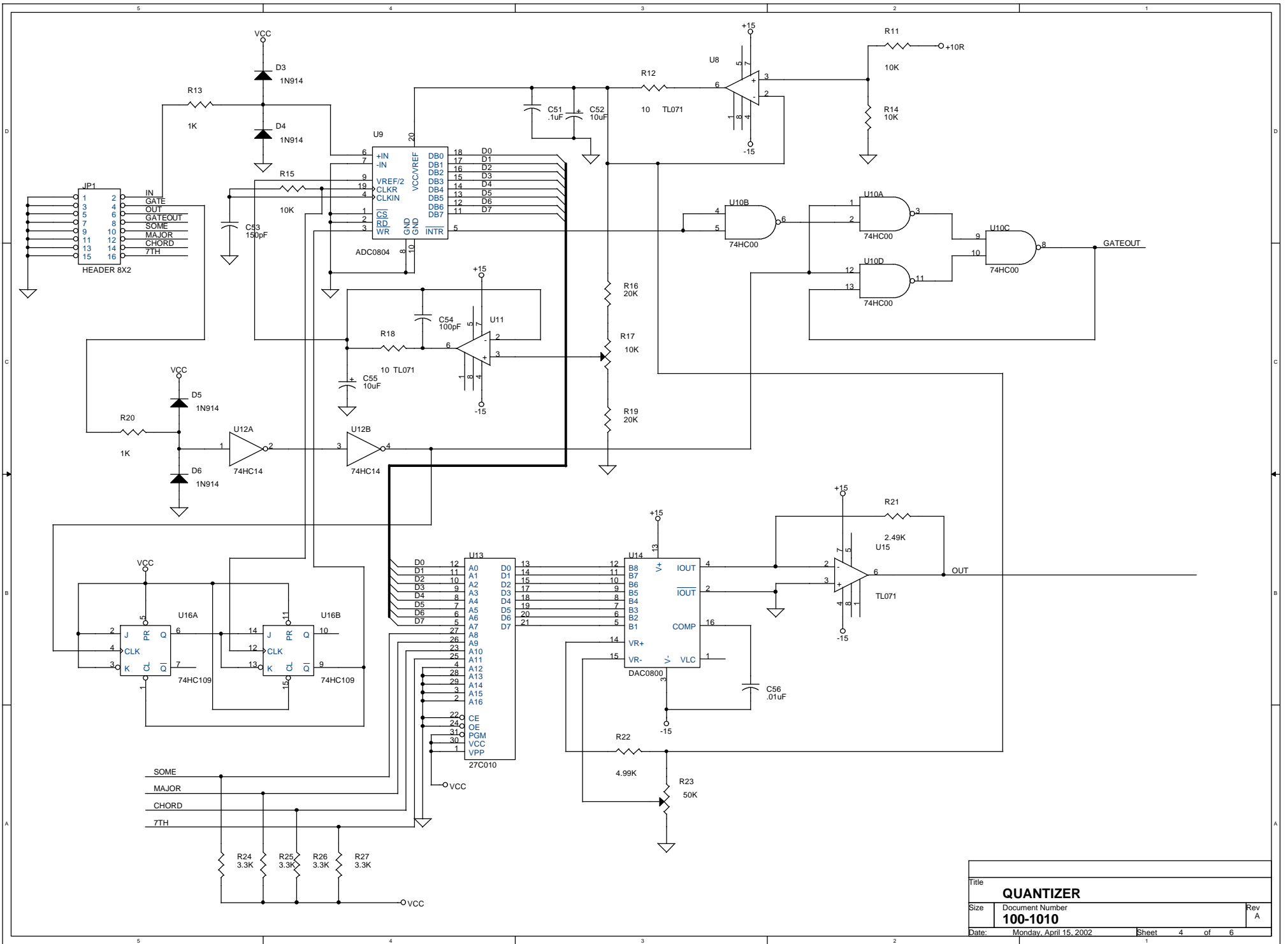
1



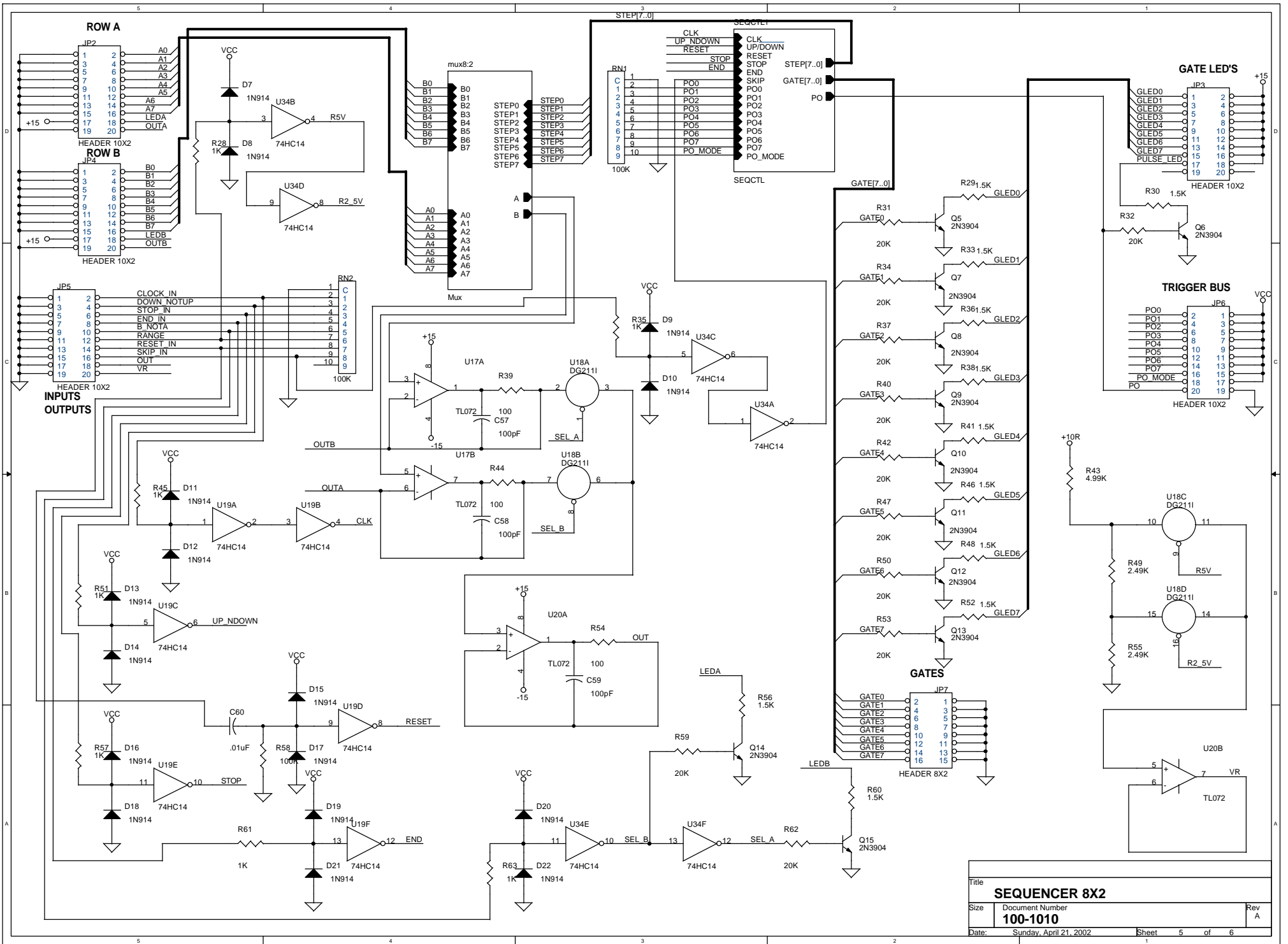
Title		
POWER SUPPLY/REFERENCES		
Size	Document Number	Rev
	100-1010	A
Date:	Monday, April 15, 2002	Sheet 2 of 6



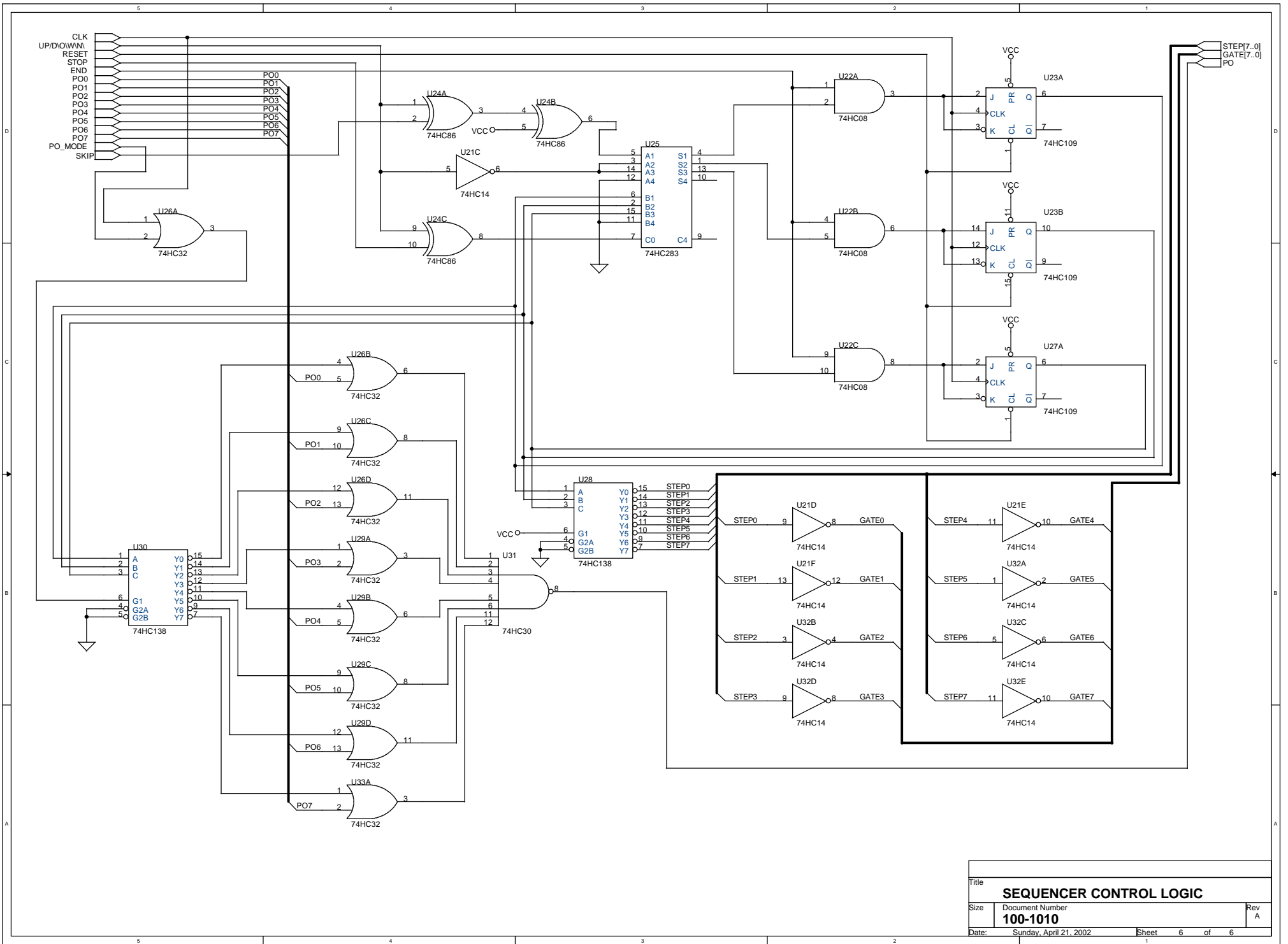
Title		
DUAL 8 TO 1 MUX		
Size	Document Number	Rev
	100-1010	A
Date:	Sunday, April 14, 2002	Sheet 3 of 6



Title		
QUANTIZER		
Size	Document Number	Rev
	100-1010	A
Date:	Monday, April 15, 2002	Sheet 4 of 6



Title		
SEQUENCER 8X2		
Size	Document Number	Rev
	100-1010	A
Date:	Sunday, April 21, 2002	Sheet 5 of 6



Title		
SEQUENCER CONTROL LOGIC		
Size	Document Number	Rev
	100-1010	A
Date:	Sunday, April 21, 2002	Sheet 6 of 6