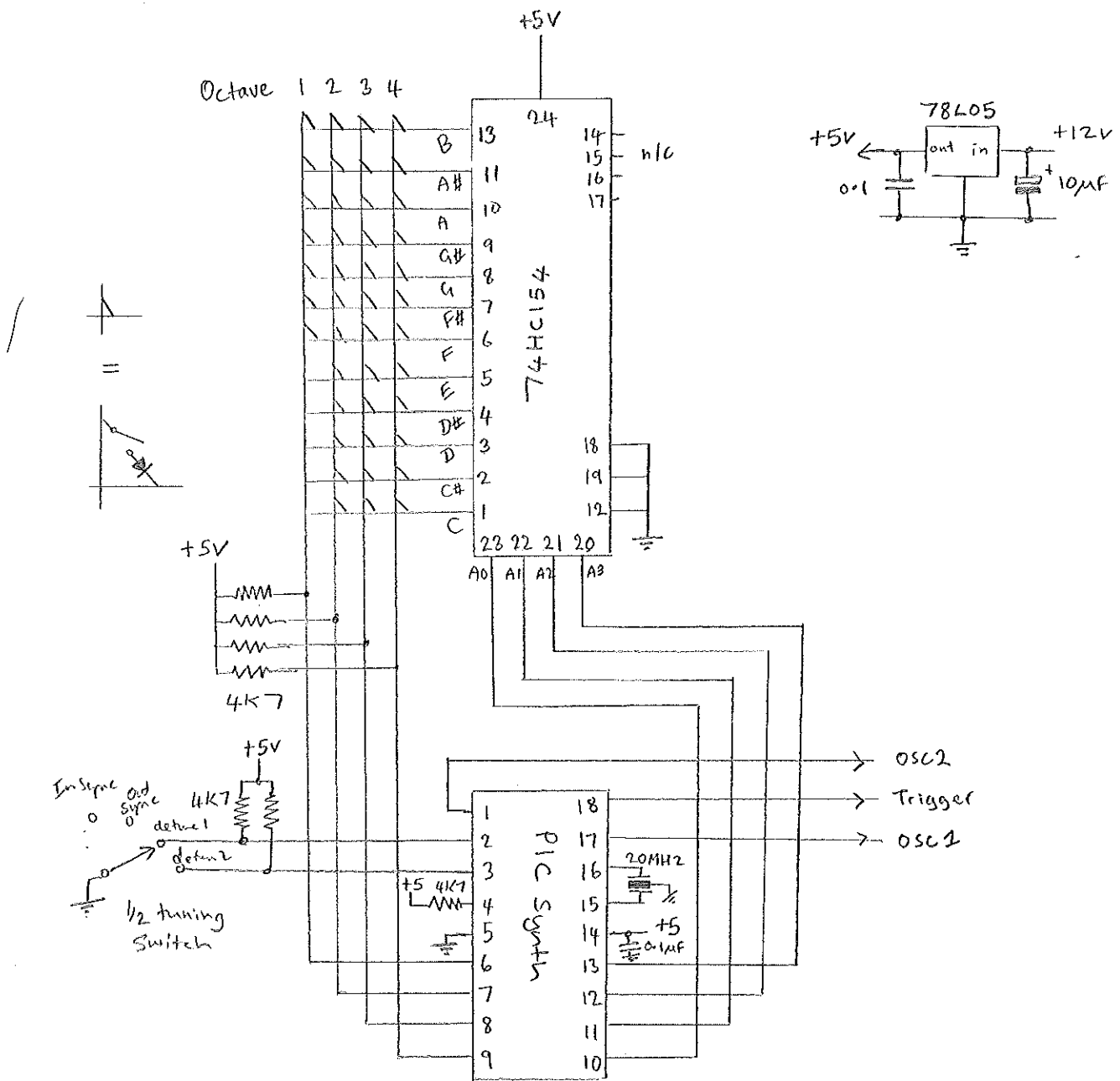
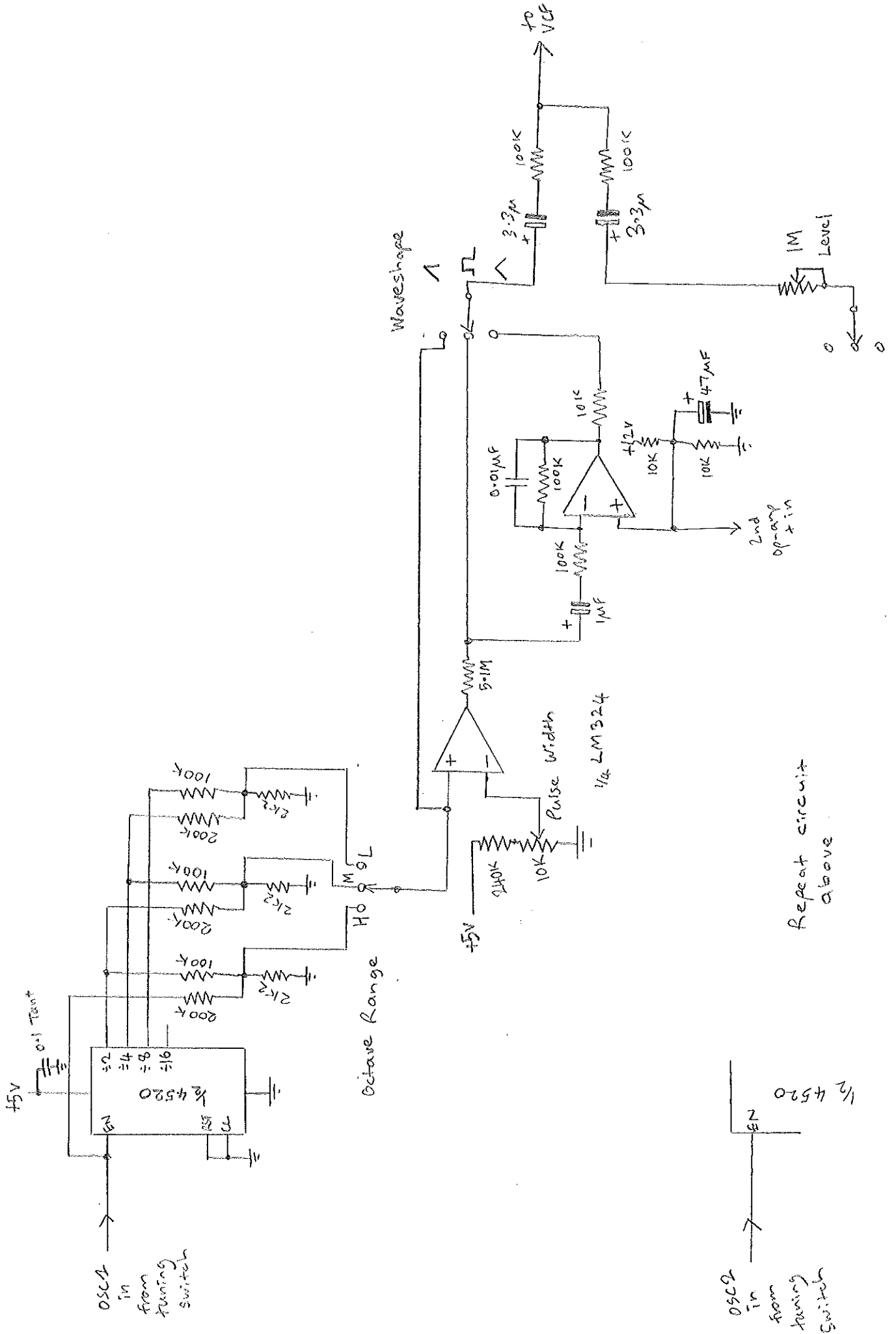


PIC Synth & Keyboard circuit.



Waveshape circuit

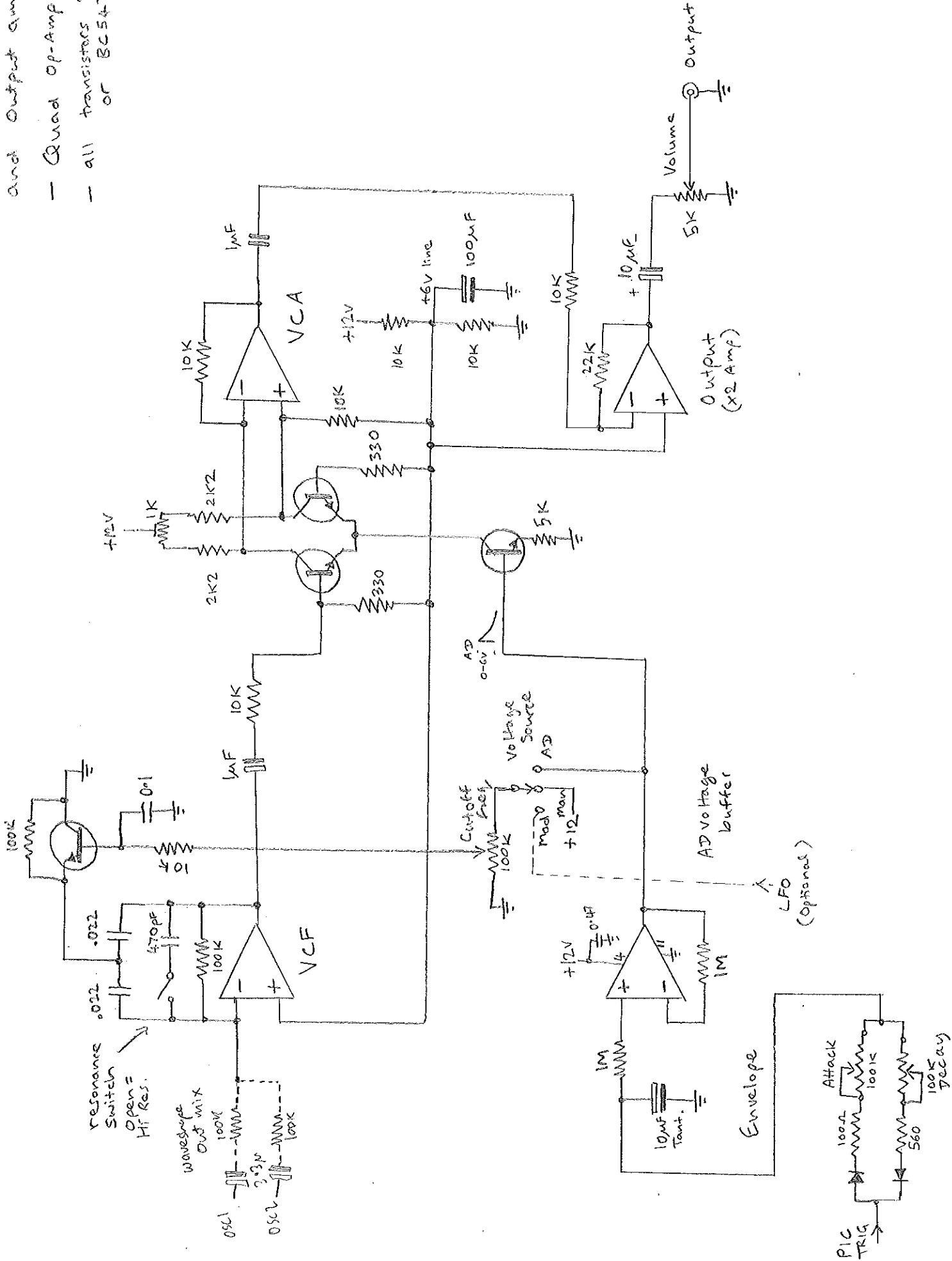


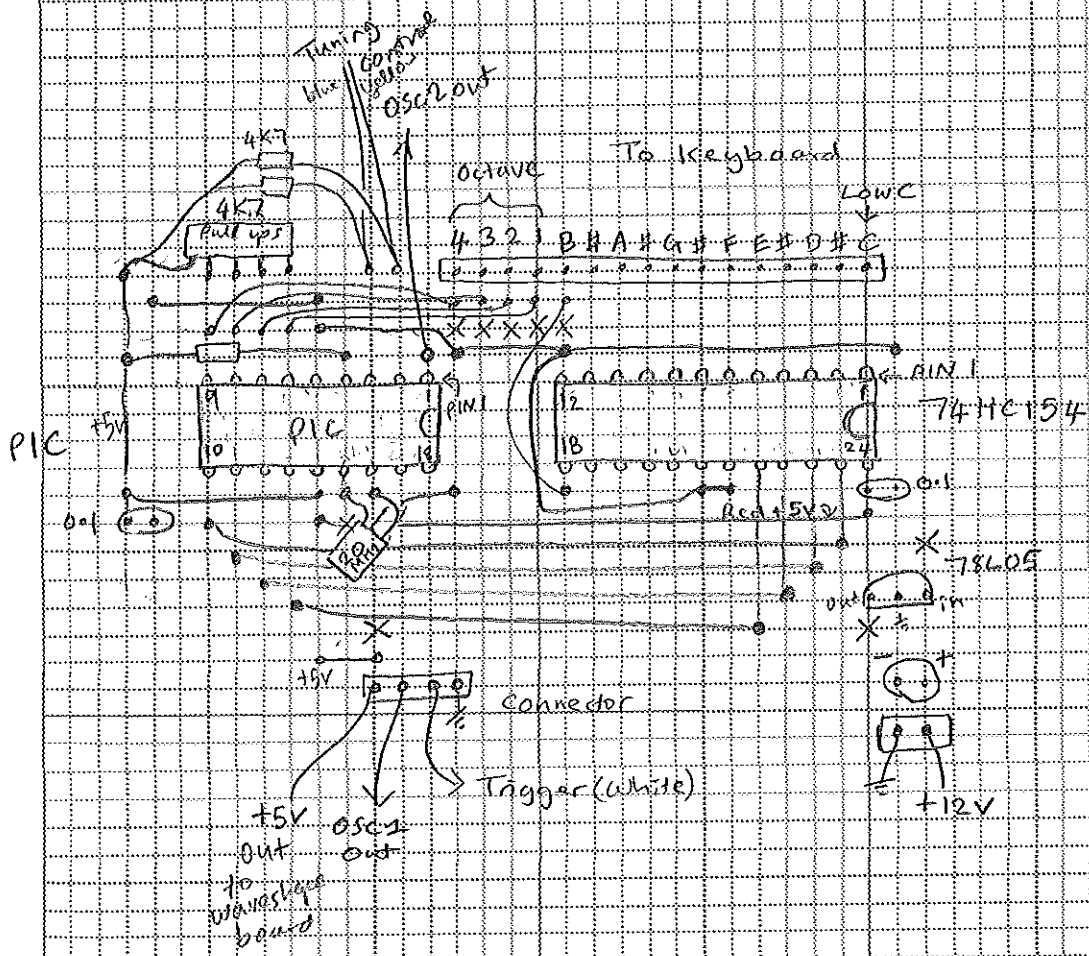
Repeat circuit above

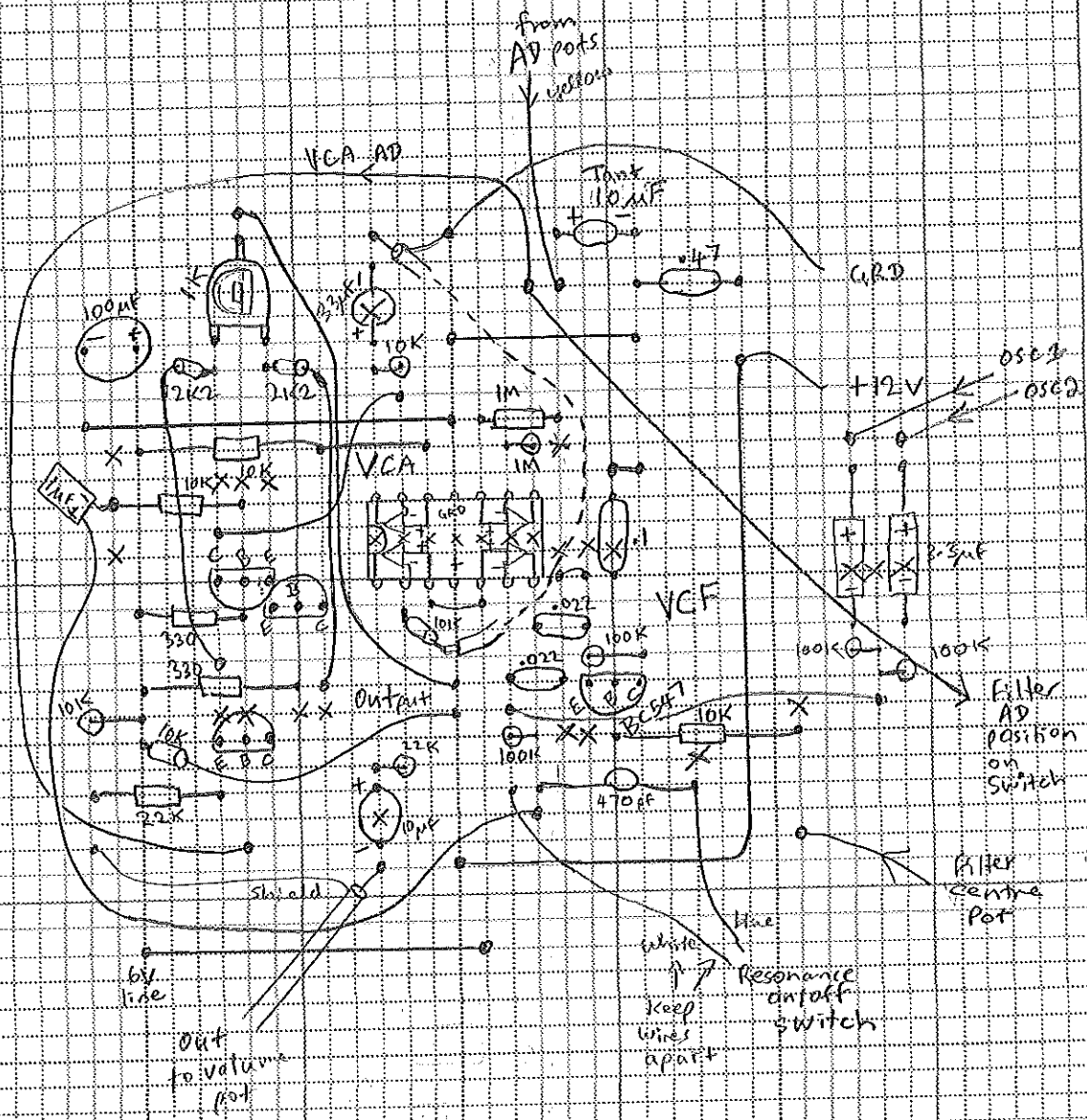
OSC In from tuning Switch $\frac{1}{2}$ $\mu\text{C}4520$

VCF/VCA Envelope and Output Amp

- Quad Op-Amp LM324
- all transistors 2N3904 or BC547







Physical layout

